

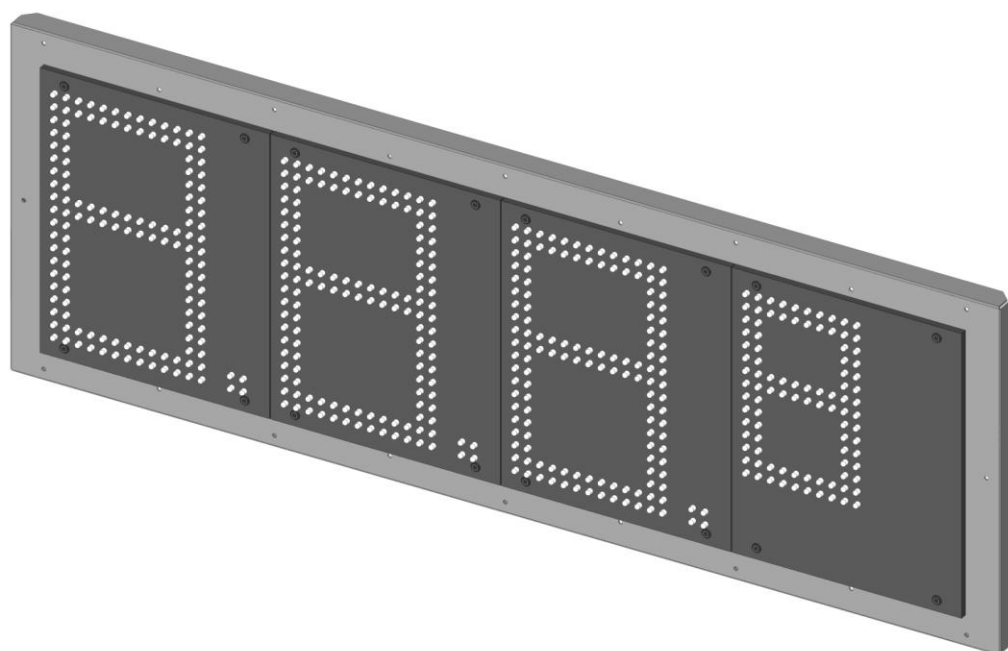


RGB Technology[®]
MODERN TECHNOLOGIES

TECHNICAL DOCUMENTATION

Price module PS25-4 with module PS25U in a mounting frame

Product code:
302-13-02



*Explanatory figure

Table of contents

1	Manufacturer	3
2	Specifications	3
3	Transport and storage	3
4	Device construction	3
5	Mounting the device	4
5.1	Price module PS25-4	4
5.1.1	Dimensions of price module PS25-4	4
5.1.2	Dimensions of mounting frame RAM-001	4
5.1.3	Installation of price modules.....	5
5.1.4	Diagram of electric connections PS25-4, option with 10 price modules.....	6
5.1.5	Cable connections in the controller box	6
6	PYLON controller	6
7	LED module automatic brightness control	7
8	Power supply unit.....	7
9	Initial start-up	7
10	Disposal and recycling	7
10.1	Recycling of packing materials.....	7
10.2	Disposal of the device.....	7
11	Most common errors during the installation	7

1 Manufacturer

RGB Technology Sp. z o. o.
 Tymień 18
 76-035 Tymień
 POLAND

2 Specifications

Price module PS25-4 (3 modules PS25 + module PS25U)

Dimensions of the device ¹ [mm]:	899 x 278 x 28.5
Digit height:	25cm
Power supply:	88 ÷ 264VAC, 50Hz
Device operation temperature (ambient):	-25°C ÷ 45°C
Device operation temperature (device surface)	-25°C ÷ 60°C
Average power consumption of the device:	18W
Casing tightness rating ² IP:	67
Weight:	6.5kg

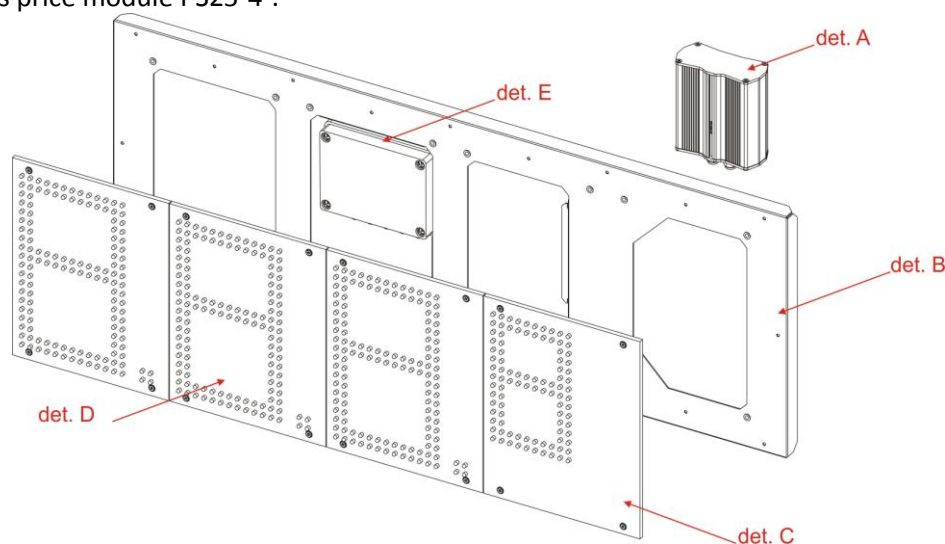
3 Transport and storage

Care should be taken to properly protect the devices so as to eliminate any damage during transport. It is forbidden to transport the devices in a collective package without adequate amortisation - each device must be packed separately and cannot have freedom of movement during transportation.

Due to the protective packing the module should be stored in the temperature not lower than -20°C and not higher than +60°C at the humidity below 99%RH.

4 Device construction

The figure shows price module PS25-4³.



det. A – power supply unit; det. B – mounting frame; det. C – LED module PS25U; det. D – LED modules PS25; det. E – junction box

Fig. 1

¹ Dimension without a mounting frame.

² Specified on the basis of EN 60529.

³ Explanatory figure.

5 Mounting the device

NOTICE!

Before any installation or maintenance operations you should refer to the manual supplied by the manufacturer. Improper connection to the mains power supply, incautious device installation, or improper use may cause property damage, loss of health or death from electrical shock! In addition, any failure to follow the manufacturer's instructions may void your warranty.

NOTICE!

Keep in mind that all the components should be mounted with the leads facing down.

NOTICE!

It is forbidden to make any additional mounting points or any holes in the device assembly components.

5.1 Price module PS25-4

The PS25-4 device is composed of three LED modules PS25, one LED module PS25U, power supply unit ZR-50 and a junction box, which are mounted on the mounting frame. All the components form one price module PS25-4.

5.1.1 Dimensions of price module PS25-4

All the dimensions shown in the drawings are given in [mm].

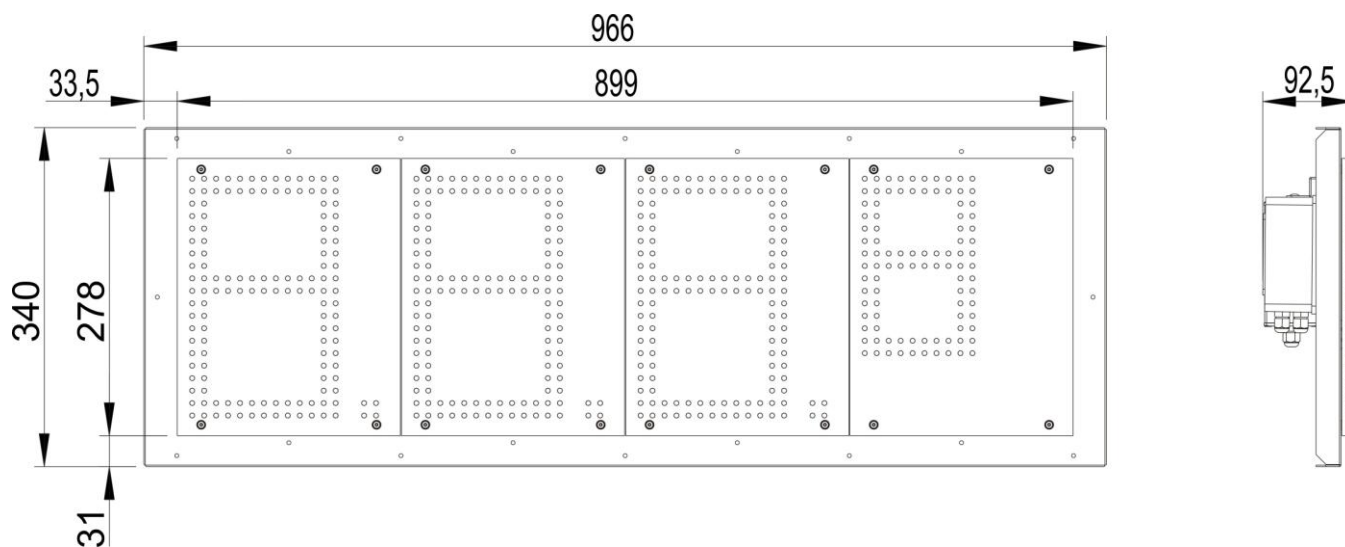


Fig. 2

5.1.2 Dimensions of mounting frame RAM-001

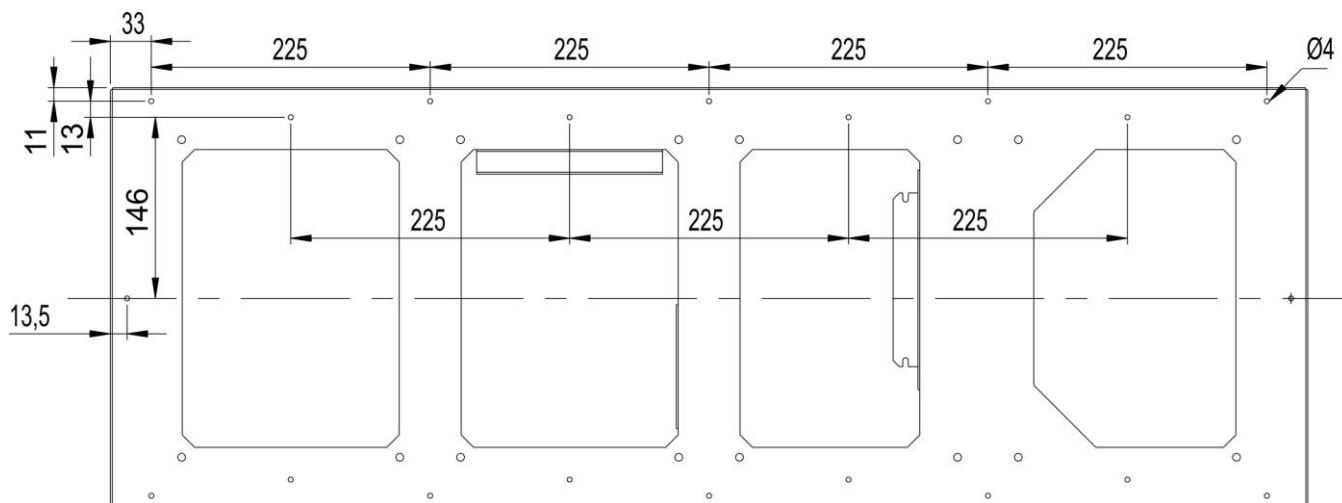


Fig. 3

5.1.3 Installation of price modules

To facilitate the installation, each price module PS25-4 has its number (Fig. 4). The number of a price module facilitates quick mounting of the module in the price pylon. The number consists of a digit denoting the price line (where 1 denotes the highest price line) and a letter denoting the side of the pylon.

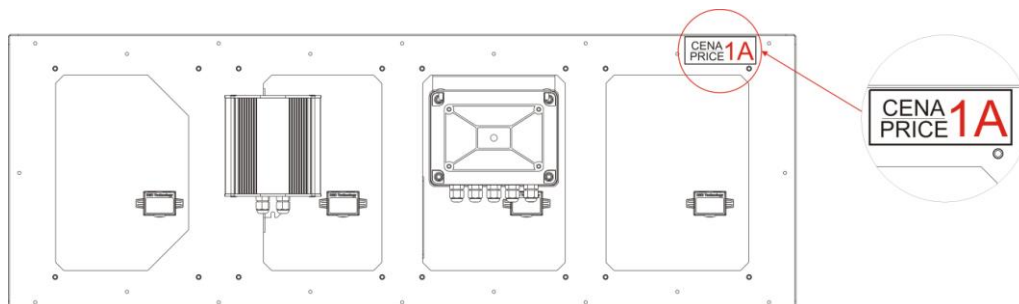


Fig. 4

Price pylon with price modules PS25-4 (Fig. 5)⁴.

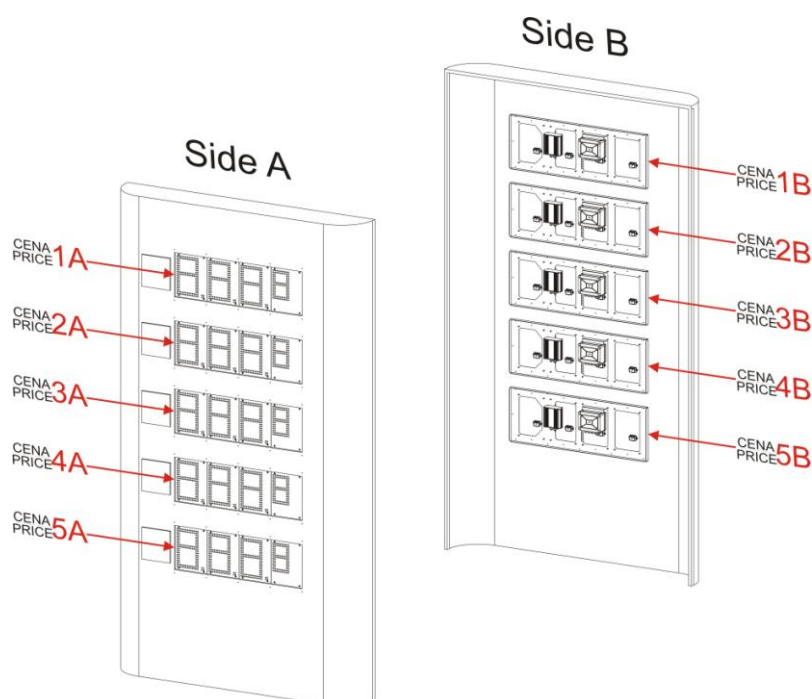


Fig. 5

A price pylon may include maximum 6 prices on each side, and each price module may be composed of maximum 6 digits. Each single LED module PS25 has a dot in the bottom right-hand corner (Fig. 6). Due to the fact that a dot appears in each LED module, it may be edited from the software level to appear in any LED module. Module PS25U – *Upper index* (Fig. 7) has no dot, because it appears as the last.

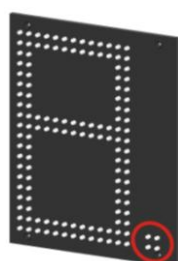


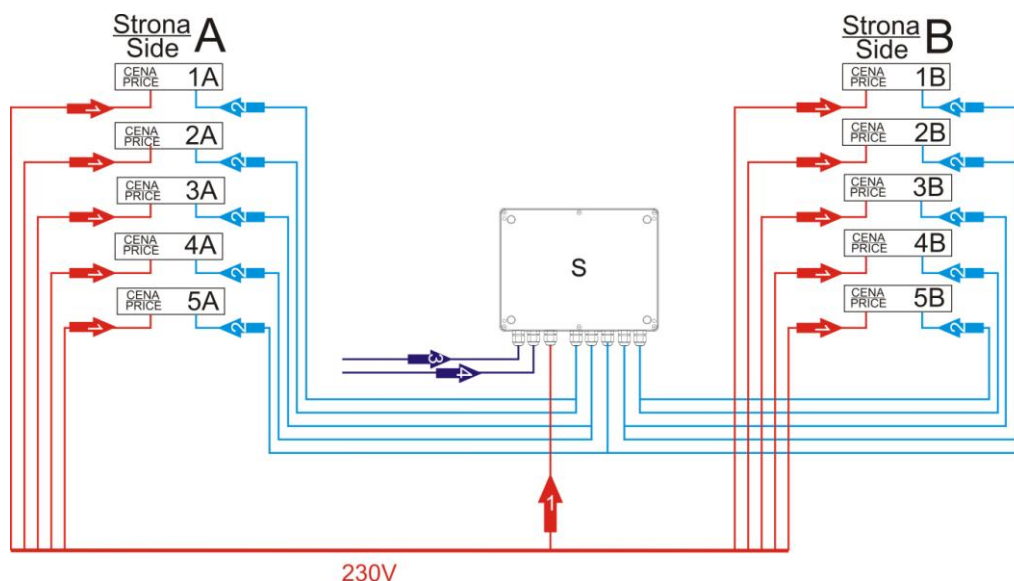
Fig. 6



Fig. 7

⁴ Explanatory figure.

5.1.4 Diagram of electric connections PS25-4, option with 10 price modules



Legend:

1A,1B...

– price module numbers,

S

– controller,

Red -1-

– 3 x 1mm² length 5m (core markings: blue, brown, yellow-and-green) power cord to supply power to the price modules and the S controller,

Red -230V-

– power supply 230V,

Blue -2-

– 2 x 0.5mm² length 5m (core markings: white, green) signal cables connecting the price modules with the controller,

Dark blue -3-

– 2x0.5mm² length 2m (core markings: black, red) lighting sensor input,

Dark blue -4-

– 3 x 0.25mm² length 5m (core markings: black, red, orange) input signal lead (RS485)

Fig. 8

5.1.5 Cable connections in the controller box

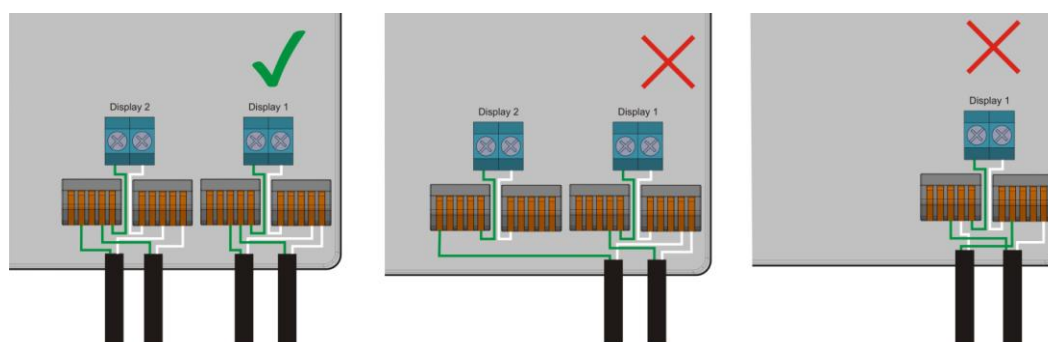


Fig. 9

6 PYLON controller

The controller is a unit responsible for displaying the set content by the LED modules. The unit has 3 ports, and each of them is able to serve up to 4 price modules. The detailed description of the PYLON controller can be found in the DTR manual of the number in conformity with the catalogue index number of the controller.

7 LED module automatic brightness control

In the standard version, a lighting sensor is included (Fig. 10). The controller, in response to the intensity of daylight, adjusts the brightness of the price pylon LED modules. To make the sensor function properly, you should locate it in a place where daylight is present. Pay special attention to whether another source of light is not directed onto the sensor, as it can interfere with the reading of the sensor. A detailed description of the sensor is available in DTR of the sensor.



Fig. 10

8 Power supply unit

Each price module has an individual power supply which is mounted on dedicated frame. Detailed description of the power supply is available in the power supply DTR.

9 Initial start-up

- Step 1: Make sure that all the price modules are properly located in the pylon (see point 5.1.4, Fig. 7),
- Step 2: Make sure that all the price modules have been installed in the correct orientation (**leads down**),
- Step 3: Connect the modules and the controller to the 230V power source,
- Step 4: If properly connected, the system should display random digits on the LED modules until the user changes the displayed content.

10 Disposal and recycling

10.1 Recycling of packing materials

The packaging materials must be segregated, then recycled in accordance with local regulations for waste disposal regulations.

10.2 Disposal of the device

The device can not be disposed with regular household waste!

According to Directive 2002 / 96 / EC (WEEE), when repair is not economically reasonable, user is obliged to hand over damaged or destroyed device to an appropriate disposal facility .



11 Most common errors during the installation

1. Boxes mounted contrary to the manual, e.g. with leads up,
2. LED modules installed contrary to the diagram, eg. exchanged sequence of the price module addresses.
3. Drilling additional mounting holes or holes in junction boxes.
4. Connecting the signal anode and cathode (white and green cores) to two different ports of the controller.
5. Connecting improper cores in the WAGO connectors (eg. connecting the white and green cores of the signal cable to the same WAGO connector)